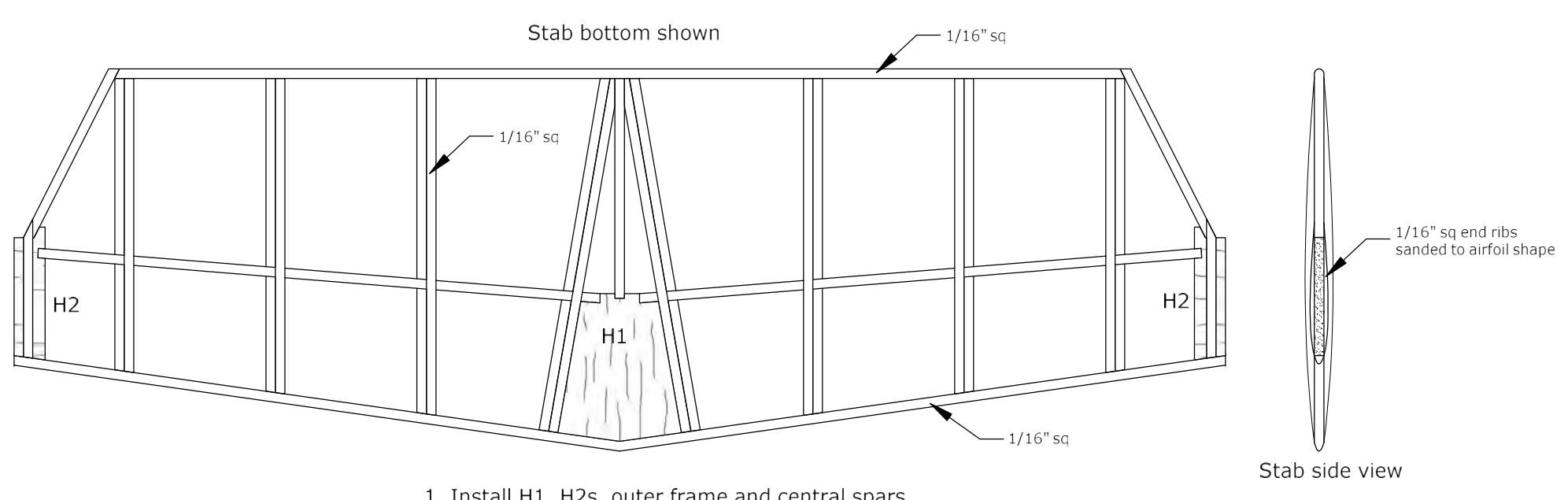
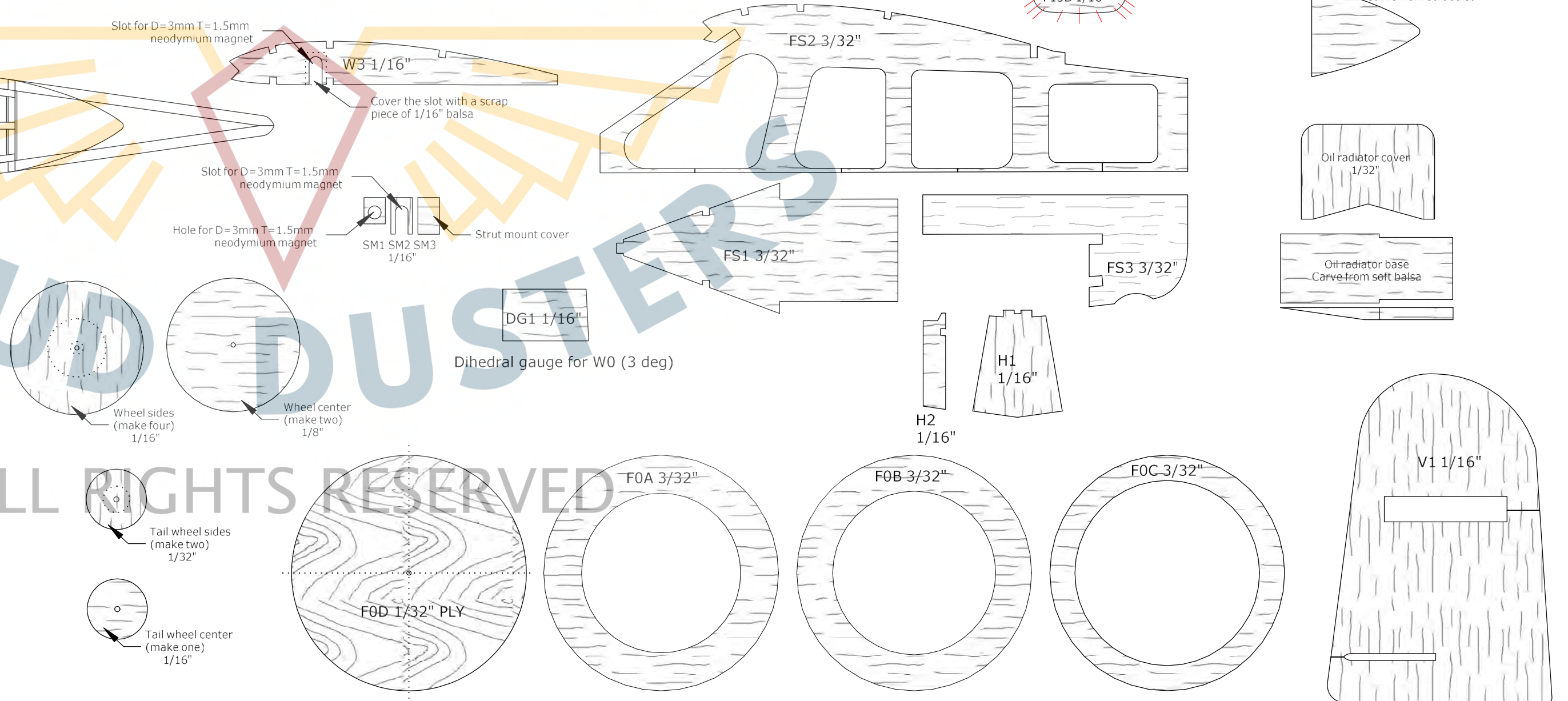
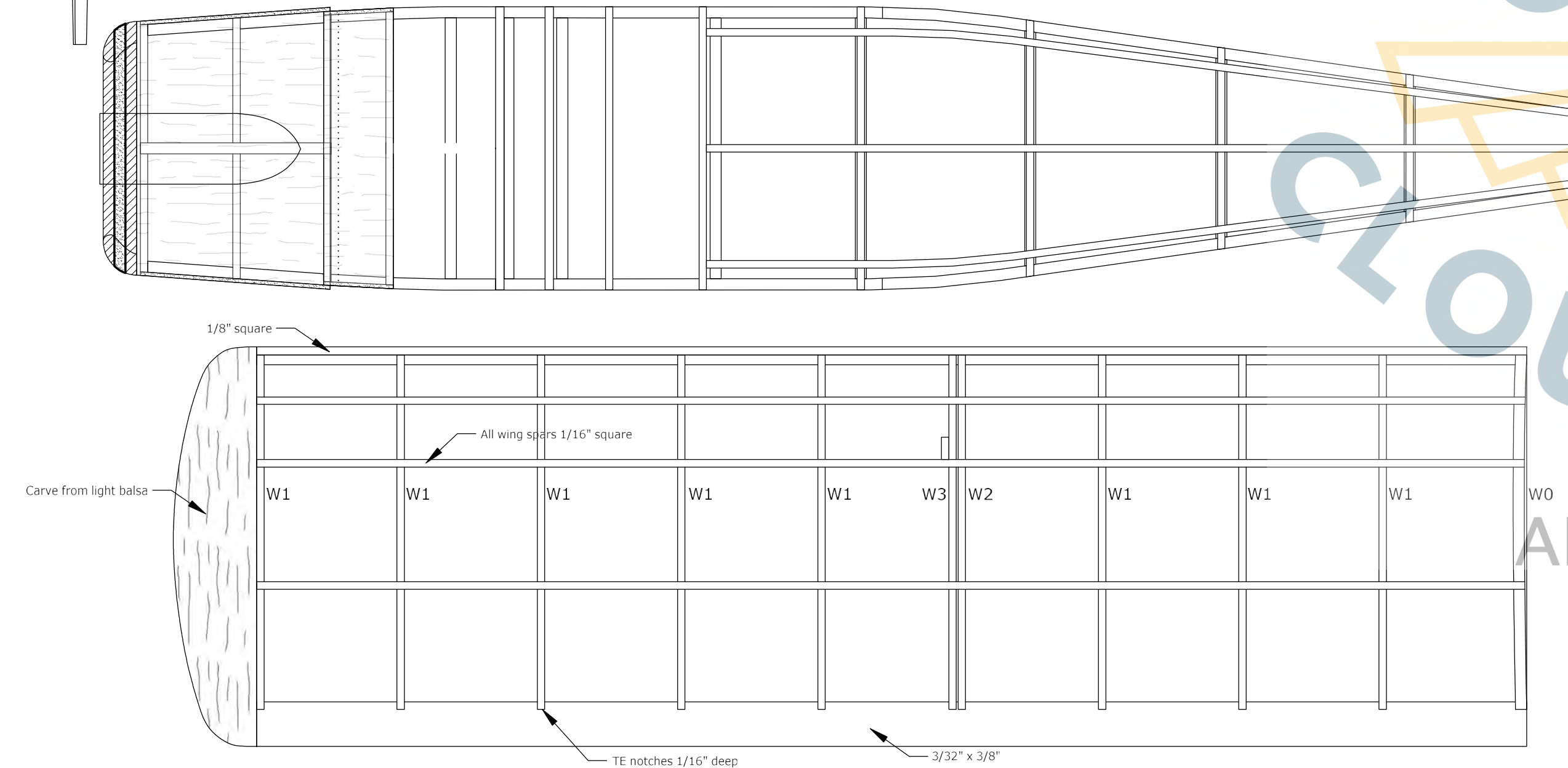
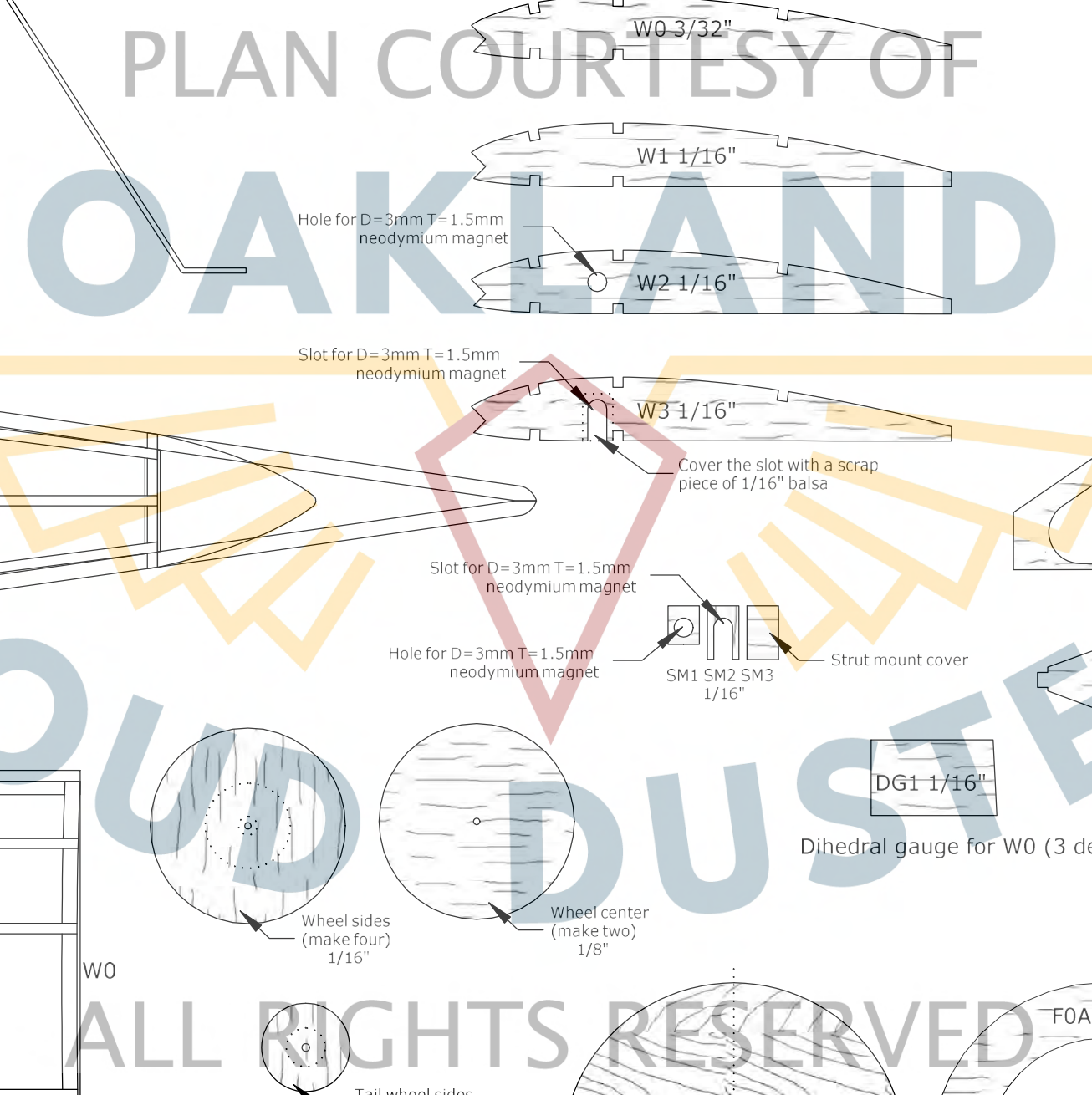


Recommended Motor:  
4 strands of 1/8" Tan Super Sport



1. Install H1, H2s, outer frame and central spars.
2. Stab bottom is built first. Spring the 1/16" sq ribs over the central spar.
3. Remove the stab and install top ribs.
4. Install the 1/16" sq end ribs on H2s and sand to match the airfoil shape.
5. Cover top entirely.
6. Leave bottom center of the stab uncovered.

By Ates Gurcan, © April 29, 2013 All Commercial Rights Reserved			
TITLE MAX HOLSTE MH.1521 BROUSSARD 25.4" W/S, AUW 45g-55g Rubber Powered Free Flight Scale Model			
SIZE	CAGE CODE	DWG NO	REV
D			A
SCALE	1:1	SHEET	1 of 1